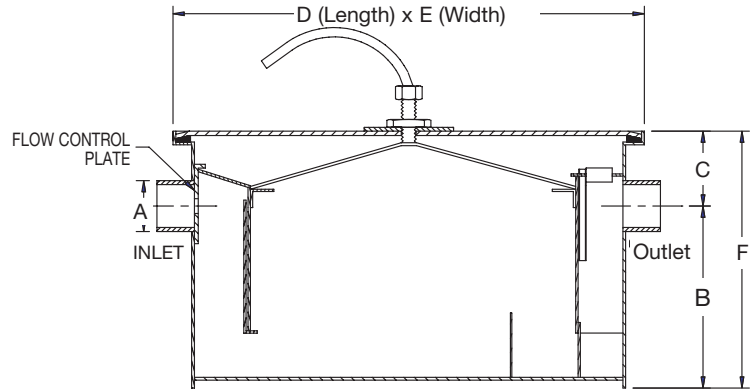


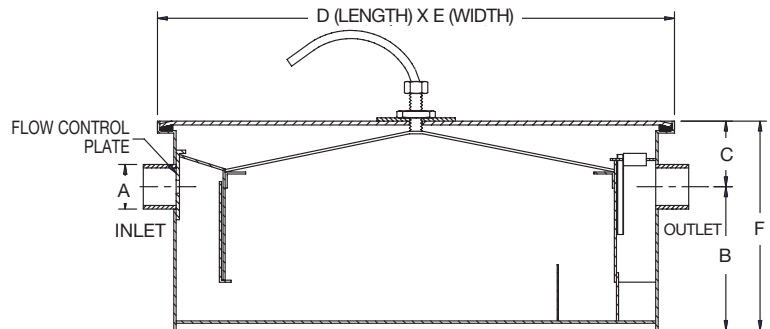
Grease Interceptors

WD-A Series Semi-Automatic Draw-Off Grease Interceptor



Interceptor Model Number	List Price A.R.E.	Flow Rate GPM	Grease Capacity	A Inlet & Outlet	B Base to Center	C Top to Center	D Length	E Width	F Height	Weight Lbs.
WD-7-A	\$7,772.00	7	14	2"	8-1/2"	3-1/2"	18"	13"	12"	59.01
WD-10-A	9,192.00	10	20	2"	8-1/2"	3-1/2"	21-3/4"	14"	12"	68.93
WD-15-A	9,792.50	15	30	2"	10-1/2"	3-1/2"	22"	15"	14"	79.07
WD-20-A	12,590.00	20	40	3"	11-1/2"	3-1/2"	24"	15-3/4"	15"	88.77
WD-25-A	14,605.00	25	50	3"	12"	4-1/2"	26"	16-1/2"	16-1/2"	100.90
WD-35-A	14,982.00	35	70	3"	14"	5"	30"	18"	19"	128.46
WD-50-A	17,104.00	50	100	4"	16"	5-1/2"	32"	22"	21-1/2"	165.94
WD-75-A	20,348.00	75	150	4"	18-1/2"	5-1/2"	36"	24"	24"	N/A

WD-LA Series Low Rough-In Semi-Automatic Draw-Off Grease Interceptor



Interceptor Model Number	List Price A.R.E.	Flow Rate GPM	Grease Capacity Lbs.	A Inlet & Outlet	B Base to Center	C Top to Center	D Length	E Width	F Height	Weight Lbs.
WD-20-LA	\$14,523.00	20	40	3"	7-3/4"	4"	35"	23"	12"	67.10
WD-25-LA	15,550.00	25	50	3"	7-1/2"	4-1/2"	38"	28"	12"	N/A
WD-35-LA	20,472.50	35	70	4"	7"	4-1/2"	41"	33"	12"	98.70

Options for WD-A, WD-LA, WD-AH, WD-H Series:

Suffix	Description	List Price
-0	Inlet & Outlet other than Standard	\$609.50
-SS	All Stainless Steel	P.O.A.



Consult factory for all applications outside of listed parameters.
Prices do not include applicable taxes.